



BACKGROUND MUSIC PRODUCT

SDV1170-B: POWERED TONE GENERATOR

FEATURES

- SIMPLE TO INSTALL – PLUG AND PLAY
- EASY TO RE-PROGRAM
- NO FANS OR ADDITIONAL COOLING REQUIRED
- CAN BE MOUNTED DISCREETLY AT CASH DESKS.
- WORKS IN CONJUNCTION WITH ECOTEC SYSTEMS SPEAKERS
- PROVEN DESIGN
- HIGH EFFICIENCY – TYPICALLY 80 to 90%
- CONTINUOUS POWER RATING – 80W RMS
- CD QUALITY SOUND REPRODUCTION
- FULL SHORT-CIRCUIT PROTECTION ON OUTPUTS
- ROBUST – BODY ALL METAL CONSTRUCTION.
- SMALL FOOTPRINT
- LOW COST



DESCRIPTION

The SDV1170-B is a re-programmable tone generator that can produce up to 30s of a repeating alert sound. The unit is designed to be installed at cash desks to alert staff that attention is required. The unit is activated by a switch closure (volt free) and multiple switches can be used with one till tone if intermediate switches are employed. Once activated the unit will play the recorded sound and then repeat every 5 seconds until the switch is opened again.

The unit stores the till tone internally and can simply be re-programmed by inserting a suitably programmed memory card. Inadvertent re-programming is avoided by the use of coded memory cards. Invalid cards will be rejected and this will be announced to the user. Re-programming can be achieved by store personnel.

During setup the volume of the tone can be adjusted using the front panel volume adjustment. If a large area is to be covered then the unit can drive 2 or 4 additional speakers.

For further details of this product and other music system products please contact Ecotec Systems.

APPLICATIONS

- RETAIL CASH DESKS
- RETAIL CHANGING ROOMS
- PAGING APPLICATIONS

SPECIFICATIONS



Characteristics at a free air temperature of 25°C

PARAMETER	NOTES/TEST CONDITIONS	VALUE			UNIT
		MIN	TYP	MAX	
P	POWER HANDLING	FTC amplifier rule test measured after 5mins full power operation with sine wave input signal.			Wrms
W	WEIGHT	4.5			Kg
L, W, D	DIMENSIONS	Width excludes mounting flange (177mm)			mm
THD+N	DISTORTION	Measured at 1KHz, rated power			%
Fr	FREQUENCY RESPONSE	5Hz		20,000	Hz
Eff	Efficiency	At 90% full range input, see below			%

CONNECTIONS

Connections to the unit are via the mains socket and the 6 way green terminal connector. Note the 6 way green terminal connector can be removed from the unit for ease of installation. If the connector is removed make sure it is fully re-inserted.

6W Green Terminal Connector connections:

Way	IDENT	Function	Comments
1	SWCH1	Activation switch	Connect activation switch across Ways 1 and 2 (no polarity and volt-free)
2	SWCH2	Activation switch	
3	SPKR1+	External speaker 1+	External speaker 1 positive terminal
4	SPKR1-	External speaker 1-	External speaker 1 negative terminal
5	SPKR2+	External speaker 2+	External speaker 2 positive terminal
6	SPKR2-	External speaker 2-	External speaker 2 negative terminal

Power

The SDV1170-B has a single mains connection. The mains connection must include the earth connection. The mains connection uses a standard IEC mains socket. The unit is supplied with an IEC mains lead. Note this is the only power connection required to the unit. The amplifier draws 0.5A from the mains supply at full load.

Mains connector

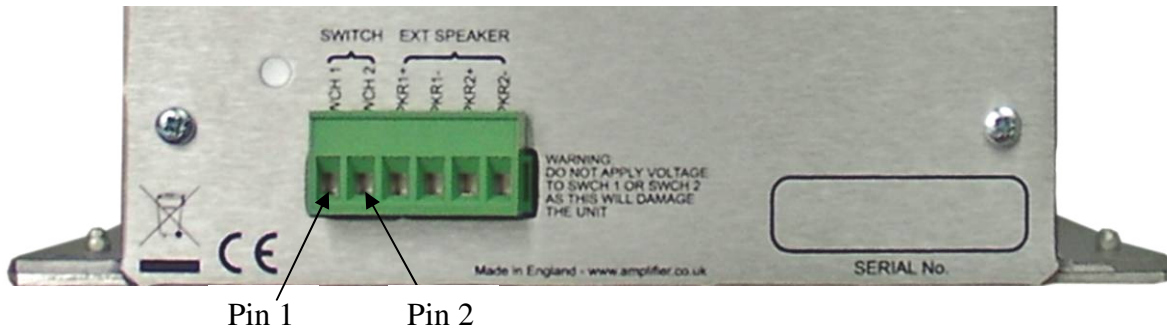


EcoTec Systems Ltd. reserve the right to change the products shown on this datasheet in the interest of improved specification. No responsibility is assumed for the use of information contained herein, nor for any infringement of patent or rights of others that may result from such use. No license is granted by implication or otherwise under any patent or patent right of EcoTec Systems Ltd.

Tone Activation Switch



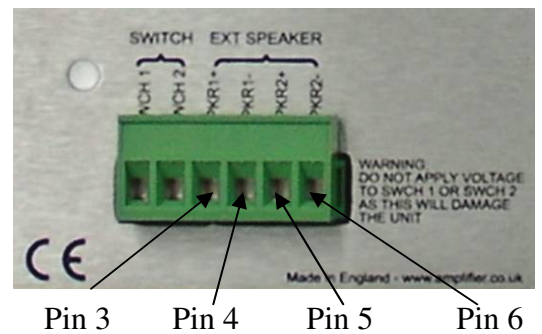
The SDV1170-B is activated by a switch (not supplied in kit) closure on Pins 1 and 2 of the 6W Green terminal connector (see below). No external power is required to the activation switch (voltage free operation).



Pin 1 Pin 2

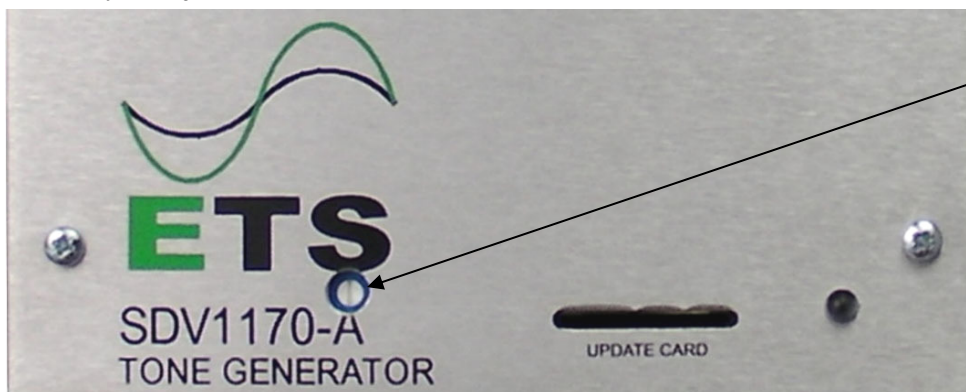
Additional Speaker Connections

The SDV1170_B tone generator includes two internal speakers. However, for large areas it might be necessary to add additional speakers to increase the unit's coverage. Speakers must be added as a pair i.e. 2 additional speakers. Connect the first speaker to ways 3 and 4 of the 6W green terminal connector and the second speaker to ways 5 and 6 of the connector. Note the speaker polarity and connect the positive terminals to ways 3 and 5 and the negative terminals to ways 4 and 6 of the connector.



Tone Volume Adjustment

If it is necessary to adjust the volume of the tone generator then the front panel recessed adjustment should be used. Use a small flat blade trimmer screwdriver to turn the adjuster clockwise to increase the volume or anti-clockwise to decrease. Do not apply excessive force on the adjuster as this can damage the unit. This adjustment is best performed once the unit is in situ with any additional speakers attached. In particular, if the unit is obscured it might be necessary to adjust the volume.



Volume Adjustment

EcoTec Systems Ltd. reserve the right to change the products shown on this datasheet in the interest of improved specification. No responsibility is assumed for the use of information contained herein, nor for any infringement of patent or rights of others that may result from such use. No license is granted by implication or otherwise under any patent or patent right of EcoTec Systems Ltd.

Tone update



The tone generator is shipped with the tone programmed into the unit. It should only be necessary to update the tone if it needs to be changed.

The tone generated can be updated by inserting a suitable update card into the front panel SD card slot.

Update cards are available from Ecotec Systems. To update the tone follow the procedure below:

- 1) Insert the update SD card into the front panel slot
- 2) Ensure the unit is powered up – the front panel light to the right of the update card slot should be lit.
- 3) Turn-on the tone using the activation switch.
- 4) If a correct update card is in the unit the unit will announce “updating please wait”. The unit will repeat this message during the update process every 10 seconds.
- 5) Once the update is complete (about 30 to 40 seconds) the unit will announce “update complete, please switch of the unit and remove update card” the new tone will then sound.
- 6) Switch off the unit using the activation switch then remove the update card from the unit.
- 7) The update is now complete.



Update card slot

Front panel light